



VX

 **立式斜流泵**

Vertical Mixed Flow Pump



荏原机械淄博有限公司
EBARA MACHINERY ZIBO CO.,LTD.

特征 Features

- ◆ 可提供各种型号的产品以满足客户的需求
Large variedly of options to meet all customer requirements
- ◆ 单级扬程可以超过100米
Over 100-meter-head per single stage
- ◆ 导流壳体也可以做成焊接形式
Welded guide casing is also available
- ◆ 可以提供不需要外接润滑水的抗干磨轴承
Dry bearings not requiring external flushing are also available
- ◆ 保证产品高性能、高品质及交货期
Guaranteed high performance, quality and prompt delivery

立式斜流泵的典型优点 Advantages of Typical Vertical Mixed Flow Pump

- 与卧式泵相比较, 需要较小的安装空间
Smaller installation space than that of horizontal
- 液下安装叶轮位置, 可跟据水深及实际要求调整
Submerged impeller dispenses with the need for priming and allows pumping up of water from deep sources

应用领域 Applications

 <p>应用领域 Application</p>	<p>常规电厂、核电站、工业电厂、大型调水工程、雨污水排放、防洪工程、市政/工业供水、海水淡化、石油化工、石油及天然气、建筑空调、冶金钢铁、农业灌溉、其它工业</p> <p>Coal fired power plant, Nuclear power plant, Industrial power plant, Large water transfer project, Rain sewage water drainage, Flood control project, Municipal industrial water supply, Seawater desalination, Petroleum chemical, Petroleum natural gas, Building air conditioning, Metallurgy steel, Irrigation and others.</p>
 <p>介质 Liquid</p>	<p>清水 / Fresh water 河水 / River water 海水 / Sea water 盐水等 / Brine etc</p>
 <p>主要参数 Ratings</p>	<p>流量 / Capacity: ~90,000m³/h 总扬程(单级) / Total head(Single stage): ~100m 温度 / Temperature: ~80°C</p>

结构 Construction

	标准/Standard	可选项/Option
安装类型 Installation type	单基础安装 One-floor surface-discharge type	双基础 / Two-floor type; 基础下排水型 / Underground-discharge type 可抽式 / Pull-out(Model VYN · VZN) 坑桶式 / Pit-barrel (Model VYB)
旋转方向 Direction of rotation	顺时针 (从驱动端看) CW (viewed from driver)	——
出水法兰 Disch, Flange	GB,JIS,ASME etc.	任何标准 Any standard
止推轴承 Thrust bearing	油浸耐摩擦轴承 Oil-bath anti-friction bearing	——
	安装在大功率电机内 Located in motor for large horse power thrust bearing	安装在水泵上 Located in pump
水中轴承 Submerged bearing	橡胶轴承 Rubber bearing	开启或关闭时不需要外部冲洗的干轴承 Dry bearing not requiring external flushing at startup or shutdown
轴封 Shaft seal	填料密封 Gland packing	机械密封 Mechanical seal
附件 Accessories	泵座 / Pump base;联轴器 /Coupling; 泄漏水排水管 / Drain piping; 地脚螺栓 / Anchor bolts	橡胶轴承润滑系统 / Mbberbeating lubricating system, 吸入滤网 / Suction strainer;自动排气阀 / auto air vent valve;混合仪表 / Compound gauge; 工具 / Tools; 油漆等等 / Touch-up painted etc

材质(典型材料组合) Materials(Typical material combinations)

	清水 / Fresh water	河水 / River water	污水 / Sewage	海水 / Sea water
泵壳 Casing	铸铁 / Cast iron 轧制钢 / Rolled steel	铸铁 / Cast iron 轧制钢 / Rolled steel	铸铁 / Cast iron 轧制钢 / Rolled steel	低合金C.I./Low alloy C.I. 镍-阻 D2/Ni-resist D2 316S.S.
叶轮 Impeller	青铜 Bronze	青铜 / 不锈钢 Bronze / 304S.S.	青铜 / 不锈钢 Bronze / 304S.S.	316S.S.
泵轴 Shaft	碳钢 Carbon steel	碳钢 Carbon steel	420S.S	316S.S.
轴套 Shaft sleeve	304S.S	304S.S	304S.S	316S.S.
护轴管 Shaft-enclosing tube	碳钢 Carbon steel	碳钢 Carbon steel	304S.S	316LS.S.
泵座 Pump base	铸铁 Cast iron			
电机架 Driver pedestal	轧钢 Rolled steel			

1、其它材质例如镍铝青铜、双相不锈钢、蒙乃尔铜-镍合金、20合金等等也可以提供。

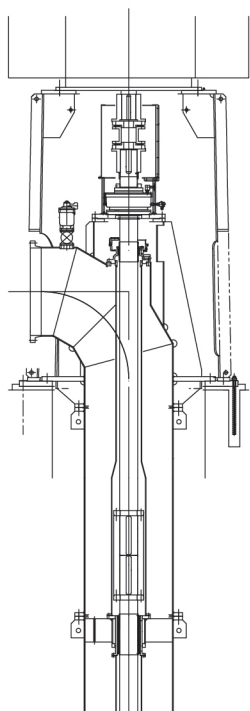
Other materials such as Nickel aluminum bronze, Duplex Stainless Steel, Monel, Alloy 20, etc, can also be applied.

2、我们需要根据介质的性质以及工作环境等情况选定材质,具体事宜请咨询我公司。

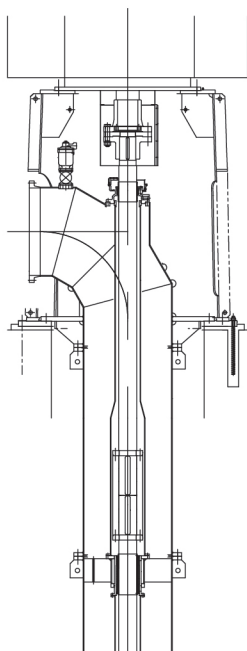
Selection of material requires careful study of the properties of the liquid handled and of the operation conditions, etc.

For specific details, please consult our factory.

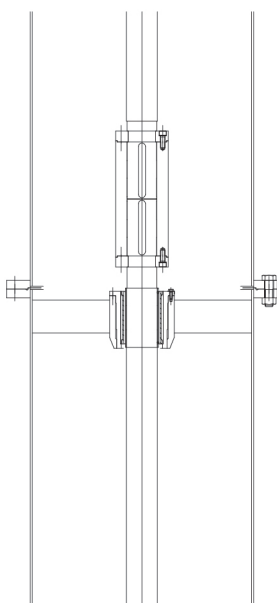
基本形式 Basic Types



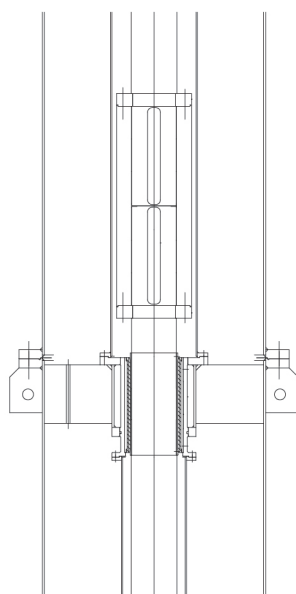
1



2



3



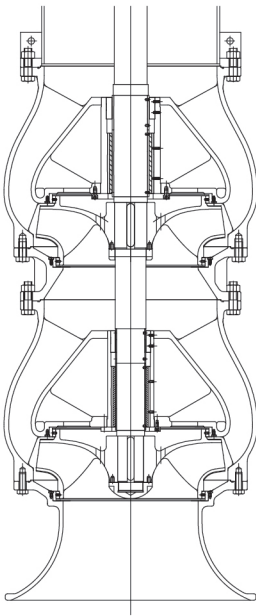
4

1. 轴向力由泵承受
Thrust bearing in pump

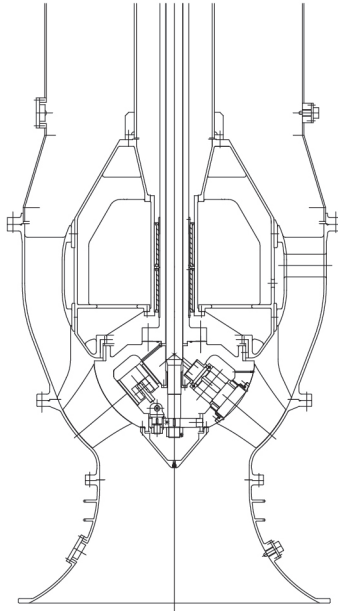
2. 轴向力由驱动装置承受
Thrust bearing in driver

3. 无轴护管
Without line shaft

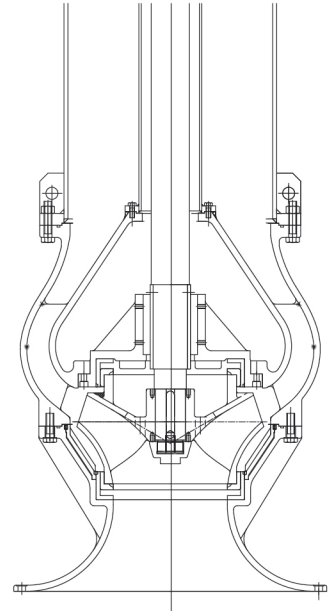
4. 有轴护管
With line shaft



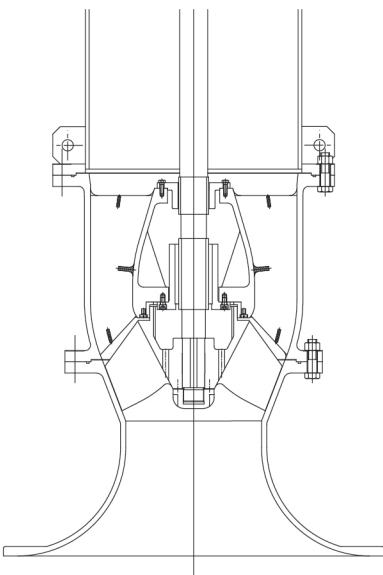
两级结构
Two-stage constriction



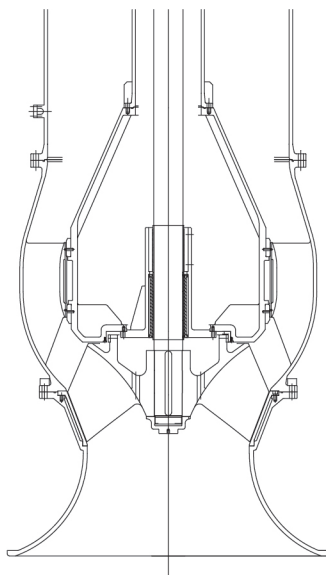
叶片可调节结构
Adjustable impeller blade



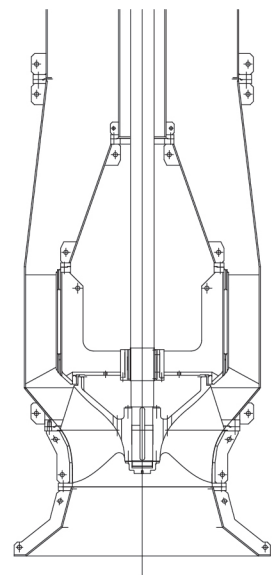
中等扬程的闭式叶轮结构
Medium-head closed impeller



低等扬程的半开式叶轮
Low-head semi-open impeller

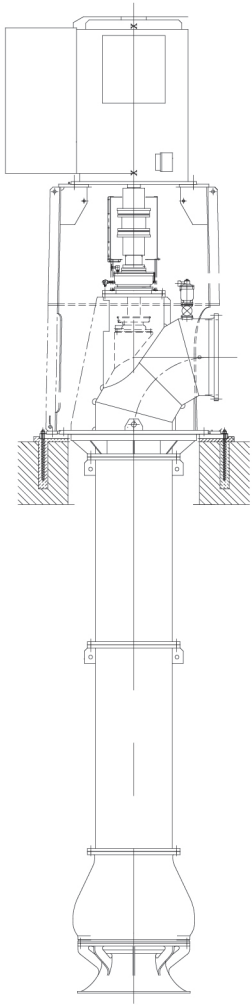


有叶轮室
With casing liner impeller

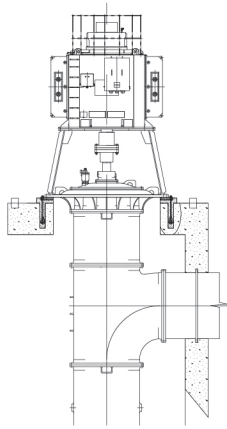


焊接导流壳
Welded guide casing

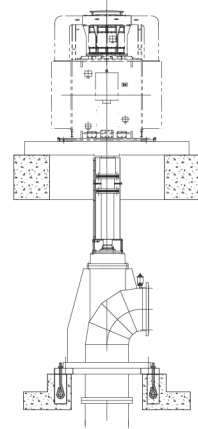
安装形式及驱动方式 Types of Installations & Drive Methods



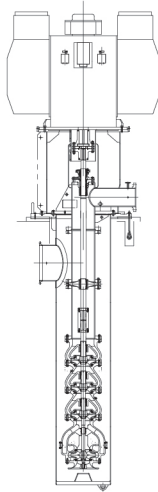
基本形式
Basic type



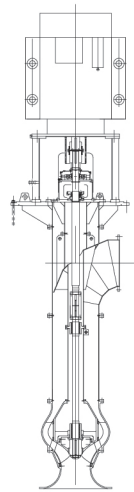
出水口在基础之下
Underground discharge



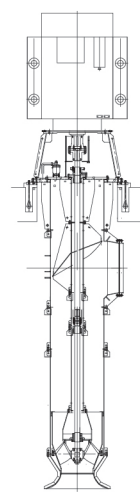
双基础安装
Two-floor installation



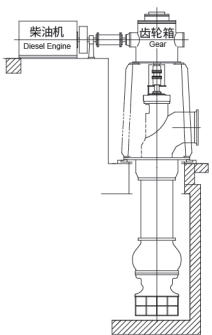
坑桶式VYB型
Pit-barrel type Model VYB



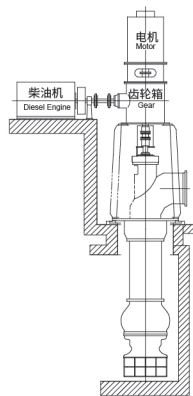
可抽式(中扬程)VYN · VZN型
Pull-out type(Medium head)
Model VYN · VZN



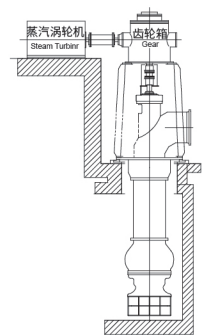
可抽式(低扬程)VYN · VZN型
Pull-out type(Low head)
Model VZN · VSN



柴油机驱动
Diesel engine drive

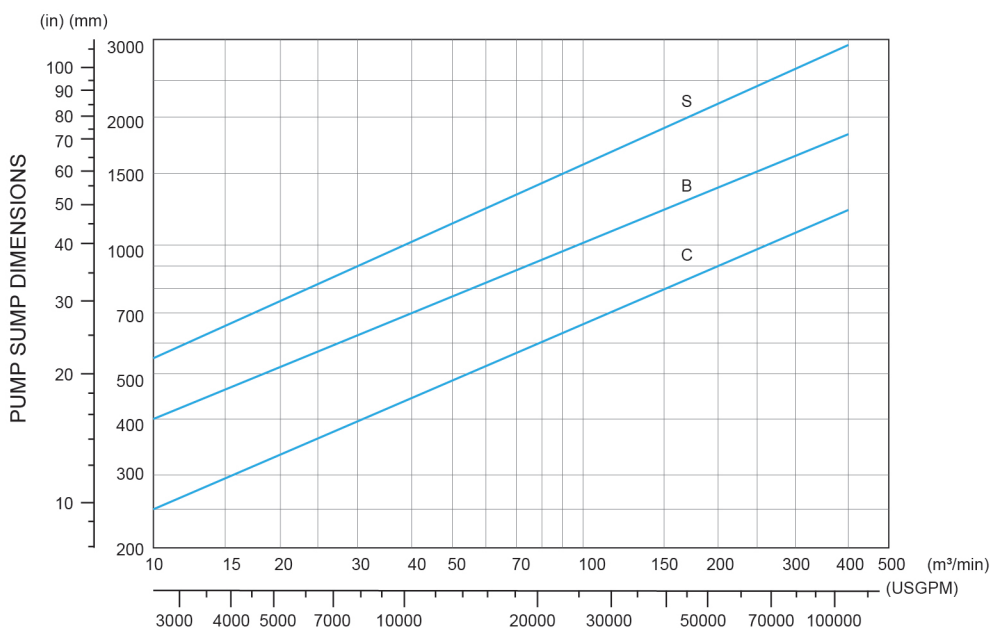


电机和柴油机驱动
Motor & diesel engine drive

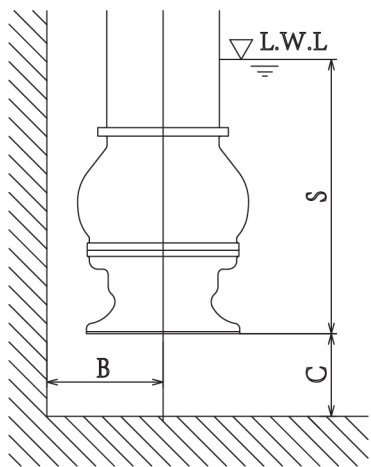


汽轮机驱动
Steam turbine drive

吸水池尺寸 Pump sump dimensions



流量 CAPACITY



- 口径、转速和吸水池尺寸可根据实际工作环境来定, 对于有特殊要求的请与我司联系。

Selected sump dimensions need to consider actual service conditions. For specific details, please consult our factory.

标识方式 Designation

400 V Y 2 M

- M: 电机直接驱动 / Motor direct drive
- GE: 柴油机通过齿轮箱驱动 / Diesel engine drive through gear
- GT: 蒸汽机或燃气轮机通过齿轮箱驱动 / Steam turbine or gas turbine drive through gear
- 级数 / Number of stage
- Y: 闭式叶轮 / Closed impeller
- Z: 半开式叶轮 / Semi-open impeller
- 出水口径(毫米) / Pump discharge bore in millimeters

Looking ahead,
going beyond expectations
Ahead > Beyond



荏原机械淄博有限公司
EBARA MACHINERY ZIBO CO.,LTD.

山东省淄博市高新区尊贤路517号
TEL: 0533-3919586 3919590
FAX: 0533-3919600
邮编: 255086
<https://www.ebarazb.com>



EMZ-VX-01
2019年8月 (第1版)